

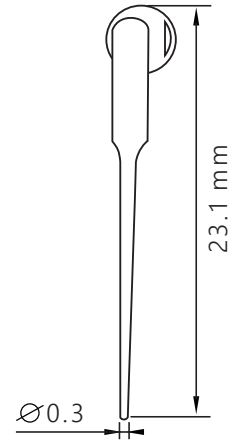
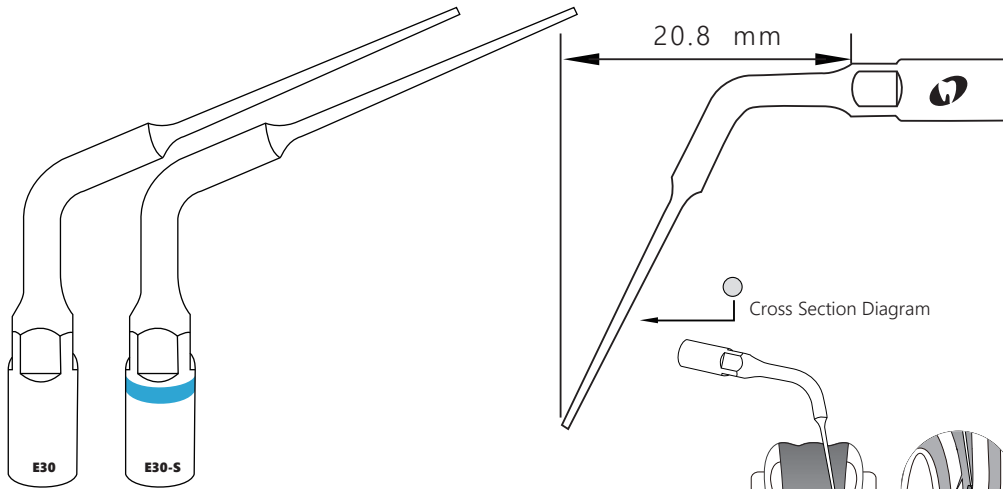
EMS® E30

Order Code 6680611

Satelec® E30-S

Order Code 6680661

Function Description: Removal of deep foreign particles in canal



Mode: E
Power: 1-3



Recommended
Service Life
50 root canals



Water Flow Rate
low&mid