

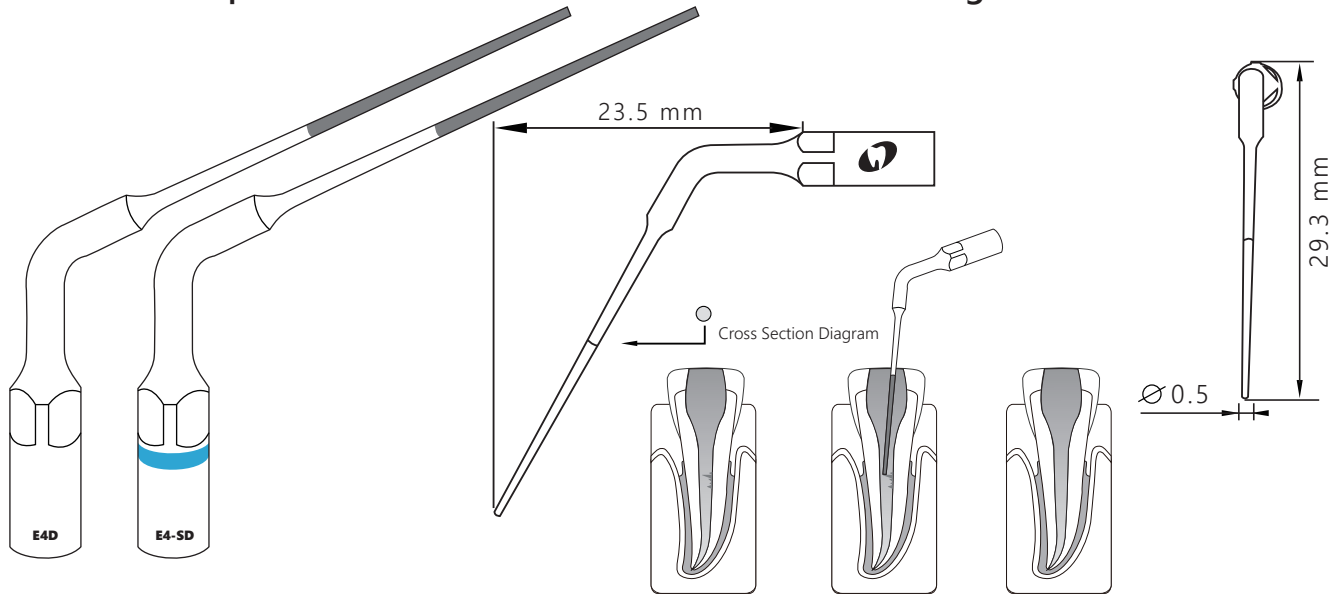
EMS[®] E4D

Satelec[®] E4-SD

Order Code **6680652**

Order Code **6680639**

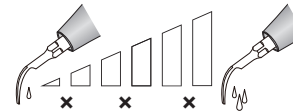
Function Description: Removal of hard material in canal during re-treatment



Mode: E
Power: 1-3



Recommended
Service Life
50 root canals



Water Flow Rate
No water